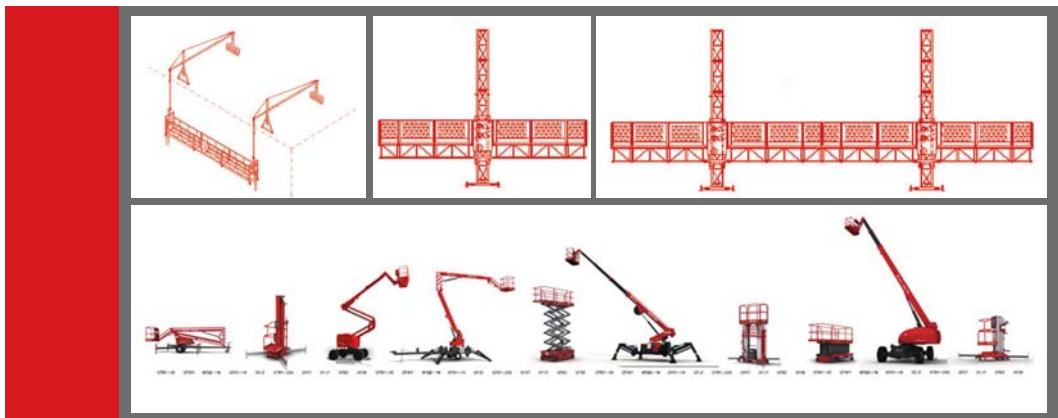




LIFTING SOLUTION

— CMAX AERIAL WORK PLATFORM





Company Profile



China National Building Materials (Group) Corporation (CNBM), which is established in 1984, is the largest state-owned group corporation of building material & machinery with a total asset of 20 billion USD and a staff of 100,000.

CNBM International Corporation, which is one leading subsidiary of CNBM Group, specializes in the design, manufacture building material & machinery. And we have passed ISO 9001:2000 quality certificate and certified by all relevant authorities.

The key functional areas of CNBM are:

• Research and Development (R&D)

- Our own systems of production engineering.
- Production design from the concept to the engineering details.
- Technical experts with great experience in the sector.
- Continuous development of new solutions and products adapted to the requirements of our clients.
- Definition and initiation of the required technical assistance
- Methodology and project procedure administration in compliance with current guidelines.

• Commercial and Marketing Aspects

- Putting the client first
- Extensive worldwide commercial network.
- CNBM has a clear aim to create and develop long-lasting and mutually beneficial relations with our clients. CNBM offers the client outstanding quality of service, continuous improvement together with constant support to assist the client's development and growth

• Service

At CNBM we consider it impossible to do business without offering the best service. The principle aim of CNBM is to offer the best product while, at the same time, maintaining the highest level of customer service. This is established by means of a network of distribution points with the ability to maintain and improve on these principles of client

Our Service Branch

CNBM INTERNATIONAL CORPORATION U.A.E BRANCH
CNBM INTERNATIONAL CORPORATION K.S.A BRANCH
CNBM INTERNATIONAL CORPORATION IRAN OFFICE
CNBM (U.S.A) CORPORATION
CNBM INTERNATIONAL(RUSSIA)CORPORATION
CNBM INTERNATIONAL CORPORATION KAZAKHSTAN BRANCH
CNBM INDIA PRIVATE LIMITED
CNBM VIETNAM COMPANY LIMITED
OTHER PLACES UNDER CONSTRUCTION



SELF-PROPELLED BOOM LIFT





Specifications

Self-propelled Boom Lifts ☺

	GTBZ22A	GTBZ26	GTBZ30	GTBZ36A	GTBZ40A
最大工作高度 Max. working height (m)	24	28.2	32.2	38.4	41.7
最大平台高度 Max. platform height (m)	22.3	26.5	30.5	36.7	40
工作幅度 Horizontal reach (m)	20.5	24.2	22.5	22.8	22.5
额定载荷 Lifting capacity (kg)	270	270	340	340	400
机器尺寸 Machine dimensions (L*W*H) (m)	10.3 × 2.5 × 2.69	11.4 × 2.5 × 3.05	13.1 × 2.6 × 3.2	12.85 × 2.6 × 3.3	14.3 × 2.6 × 3.3
平台尺寸 Platform dimensions (L*W) (m)	1.8 × 0.76 × 1.17	1.8 × 0.76 × 1.17	2.4 × 0.9 × 1.17	2.4 × 0.9 × 1.17	2.4 × 0.9 × 1.17
收拢时行走速度 Drive speed-stowed (km/h)	6.18	7.2	4.8	4.8	4.8
伸出后行驶速度 Drive speed-extended (km/h)	1.85	1.2	1.1	1.1	1.1
爬坡能力 Gradeability (%)	30 (2WD) 40 (4WD)	40	40	40	35
内部转弯半径 Inside turning radius (m)	5.025	7.2	2.9	2.84	2.84
外部转弯半径 Outside turning radius (m)	7.316	8.45	5.2	6.2	6.2
转台甩尾-车轮缩进时 Turntable tailswing-wheel retracted (mm)	1212	1315	1700	1528	1528
转台甩尾-车轮伸出时 Turntable tailswing-wheel extended (mm)	787	915	1200	1028	1028
整机质量 Machine weight (kg)	13700	17400	19900	23700	25000
转台回转角度 Turntable rotation (°)	360° continuous				
工作平台回转 Platform rotation (°)	± 80	± 80	± 80	± 80	± 80
发动机 Engine	Perkins	Perkins	Cummins	Perkins	Perkins
系统电压 Voltage (V)	12	12	12	12	12
轮胎规格 Tires size	33 × 12-20/7.5Q	385/65-22.5	385/65-22.5	445/65-22.5	445/65-22.6
控制方式 Controls	DC proportional				
伸缩方式 Telescopic method	In sequence + Synchronous				
轴距 Axle base (mm)	2700	3200	3800	3800	3800
液油箱容积 Hydraulic tank capacity (L)	200	280	280	280	280
燃油箱容积 Fuel tank capacity (L)	120	126	150	120	120
中心离地间隙 Ground clearance-center (mm)	300	370	240	340	340



RUBBER CRAWLER MOUNTED AERIAL WORK PLATFORM





Specifications

型号 Type	CMAX15	CMAX190	CMAX230	CMAX260	CMAX300
最大作业高度 Max working height	15.00 m	19.00 m	23.00 m	26.00 m	30.00 m
最大平台高度 Max platform height	13.00 m	17.00 m	21.00 m	24.00 m	28.00 m
载重 Safe load	200 kg	200 kg	200 kg	200 kg	200 kg
工作半径 Outreach	7.00 m	11.00 m	11.00 m	12.50 m	12.80 m
旋转范围 Range of rotation	360°	360°	360°	360°	360°
平台尺寸 Size of platform	1.2×0.7×1.1 m	1.2×0.8×1.1 m			
收藏长度 Overall length	5.16 m	6.35 m	6.50 m	7.20 m	7.70 m
收藏宽度 Overall width	0.90 m(0.78m)	1.70m (1.30m)	1.70m (1.30m)	1.70m	1.70m
收藏高度 Overall height	2.10 m	2.30 m	2.30 m	2.30 m	2.30 m
总重 Total weight	1900 kgs	3100 kgs	3250 kgs	4300 kgs	4750 kgs
支架宽 Standard jacked area	3.85×2.90m				
行驶速度 Driving speed	0-1.3 km/h	0-1.5 km/h	0-1.5 km/h	0-1.5 km/h	0-1.5 km/h
爬坡能力 Climability	30%	30%	30%	30%	30%
双动力 (发动机+市电) Dual power (engine+electricity)	Honda 13HP gas /220V mains	1.5kW diesel engine +2.2kW Electricmotor		1.8kW Engine +2.2kW Motor	

- Compact design, easy operation
设计小巧, 操作简单
- Robust and reliable, economical
安全可靠, 美观实用
- Indoor and outdoor use
能出去门厅
- Proportional control, cable control for driving
比例控制, 线控行走





MANUAL TRAILER MOUNTED AERIAL WORK PLATFORM





Specifications

Manual Trailer Mounted Aerial Work Platforms CE

	GTBY10	GTBY14	GTBY22S
最大工作高度 Max. working height (m)	11.8	16.8	19.8/23.8
最大平台高度 Max. platform height (m)	10	15	18/22
额定载荷 Lifting capacity (kg)	215	215	215/100
机器尺寸 Machine dimensions (L*W*H) (m)	5.6 X2	7.5X2.52	7.9X 1.9
平台尺寸 Platform dimensions (L*W) (m)	1.2 x 0.6 x 1.1	1.58 x 0.6 x 1.1	1.6 x 0.8 x 1.1
工作幅度 Horizontal reach (m)	3.6	8.6	12
支腿支撑尺寸 Outrigger footprints (L*W)(m)	2.8X3	3.8X4.2	4.9 X4.1
转台回转角度 Turntable rotation (°)	360	360	360
工作平台回转 Platform rotation (°)	—	—	60
液压箱容量 Hydraulic tank capacity (L)	20	45	120
牵引速度 Towing speed (m/s)	< 1.5	3	—
行驶速度 Drive speed (m/s)	—	—	0.1—0.3
整机质量 Machine weight (kg)	1200	3810	3850
轴距 Axle base (m)	—	—	3
最小转弯半径 Min. turning radius (m)	—	—	8.7
作业安全间隙 Safe working clearance (m)	0.2	0.2	0.2
爬坡能力 Gradeability (%)	—	—	10.5
交流电压 AC voltage (V)	~ 220	~ 380	~ 220
最大侧向力 Max. lateral force (N)	215	250	215/100
电机功率 Engine power (kW)	1.5	2.2	2.2





SELF-PROPELLED SPIDER BOOM LIFT



Model (Diesel power)	GKT-10.5	GKT-12	GKT-13	GKT-14
Max .work height (m)	10.5	12	13	14
Max platform height(m)	9	10.5	11.5	12.5
Max. work radius (m)	3	3.4	4	4
Rotation	360°	360°	360°	360°
Platform capacity(kg)(2 persons)	200kg	200kg	200kg	200kg
Dimensions (mm)	3500 × 1700 × 2600	3900 × 1900 × 2600	3900 × 1950 × 3000	5400 × 2100 × 3000
Total weight (kg)	1600	1900	2000	2200
Lifting speed (m/s)	0.05-0.09	0.05-0.09	0.05-0.09	0.05-0.09
Work pressure (Mpa)	10	10	10	10
Travel speed (KM/H)	15-30	15-30	15-30	15-30
Wind-proof	≤5	≤5	≤5	≤5
Diesel engine Power	12HP	15HP	15HP	15HP

GKT Series Diesel Engine powered Man Lift Platforms

1. Diesel driven, lift automatically, be operated both in the up platform and down.
2. With articulating boom structure, be rotary to 360°, having the special function which scissors type and telescope type have not ---to work across the obstacles.
3. With 4 full-automatic hydraulic outriggers to support the balance of whole machine, equipped with the security system in case of the emergency.
4. Available for 2 persons working ,Widely used for cleaning the windows, installing and maintaining of the lights, decorating and repairing of the factory house, and some other operations of high-altitude.



Model (Dual power)	GKT-10.5	GKT-12	GKT-13	GKT-14
Rotation angle	360°	360°	360°	360°
Max. Working height(m)	10.5	12	13	14
Max. platform height (m)	9	10.5	11.5	12.5
Platform Capacity (kg)(2persons)	200	200	200	200
Total weight(kg)	1600	1900	2000	2000
External dimensions(mm)	3500 × 1700 × 2600	3900 × 1900 × 2600	3900 × 1950 × 3000	5400 × 2100 × 3000
Max. horizontal extent(m)	3	3.4	4	4
lift speed(m/s)	0.05-0.09	0.05-0.09	0.05-0.09	0.05-0.09
Travel speed(km/h)	15-30	15-30	15-30	15-30
Wind-resistant force	≤5	≤5	≤5	≤5
Working pressure(M pa)	10	10	10	10
Power(KW)	380V/1.5KW	380V/1.5KW	380V/1.5KW	380V/1.5KW
Diesel engine Power	12HP	15HP	15HP	15HP

Dual powered (Diesel Engine/380V(50HZ) Electric Motor Man Lift Platforms
 Diesel engine driven, lift automatically, be operated both in the up platform and on the ground with Diesel engine or 380V motor.
 Please note that: the machine is driven with Diesel engine, but lift operation can be done with both Diesel engine or 380V motor.
 For other functions, the same with the DIESEL ENGINE power one.



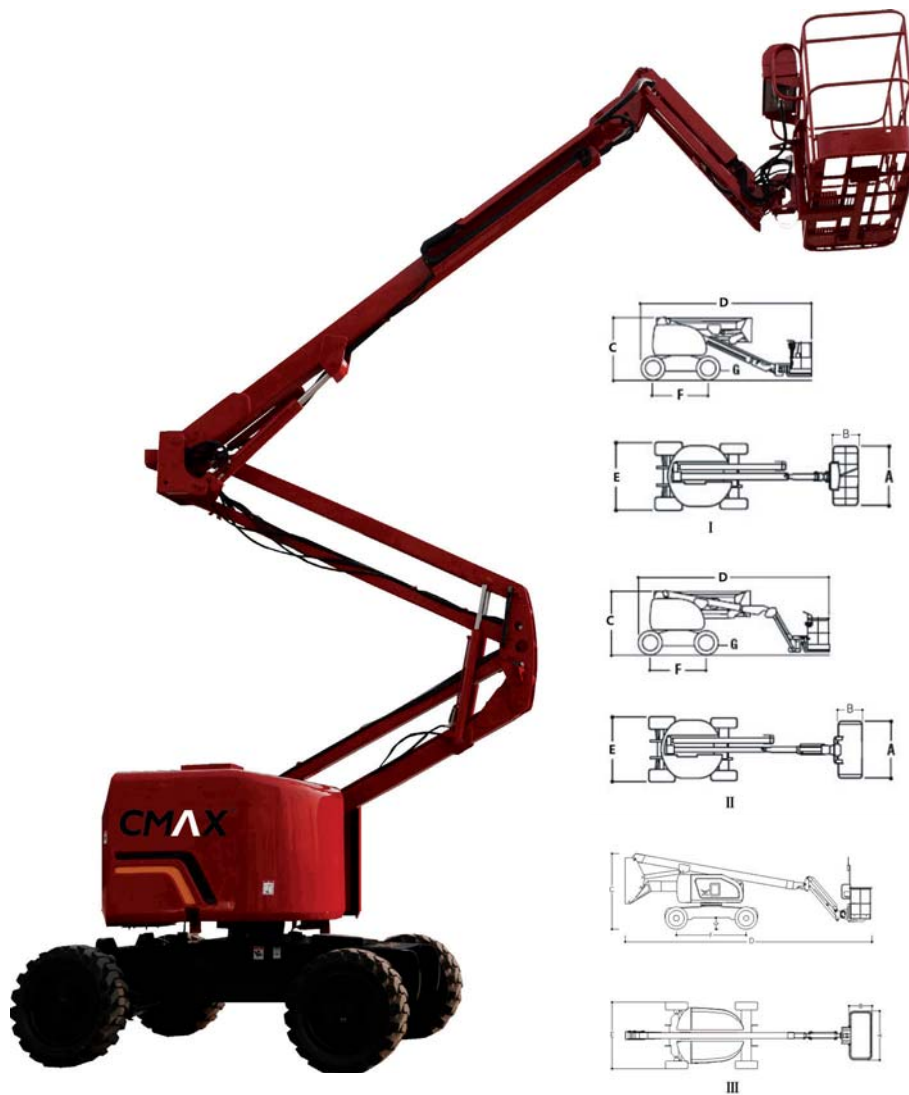
Model (Battery power)	GKT-10.5	GKT-12	GKT-13	GKT-14
Rotation angle	360°	360°	360°	360°
Max. Working height(m)	10.5	12	13	14
Max. platform height (m)	9	10.5	11.5	12.5
Platform Capacity (kg)(2persons)	200	200	200	200
Total weight(kg)	1600	1900	2000	2000
External dimensions(mm)	3500 × 1700 × 2600	3900 × 1900 × 2600	3900 × 1950 × 3000	5400 × 2100 × 3000
Max. horizontal extent(m)	3	3.4	4	4
lift speed(m/s)	0.05-0.09	0.05-0.09	0.05-0.09	0.05-0.09
Travel speed(km/h)	12	12	12	12
Wind-resistant force	≤5	≤5	≤5	≤5
Working pressure(M pa)	10	10	10	10
Power(KW)	5 batteries, 3KW	5 batteries, 3KW	5 batteries, 3KW	6 batteries, 3KW
Battery	550A, 60V	550A, 60V	550A, 60V	550A, 72V

Accessories with the machine for free: Outrigger leg tubing, Generators belt, Gear pump belt, Trip switch, Button switch, Hydraulic portfolio gasket, Outrigger leg ring

Battery driven, very environment-friendly, lift automatically, be operated both in the up platform and on the ground, work without any noise, be continuous to work for 6-8 hours.
 The batteries can be rechargeable, and it will cost about 12 hours to charge full at the first time use.
 For other functions, the same with the DIESEL ENGINE power one.



ARTICULATED BOOM LIFT



Specifications

Articulated Boom Lifts

	GTZZ 14	GTZZ 16Z	GTZZ 18	GTZZ 18Z	GTZZ 20	GTZZ 20Z
最大工作高度 Working height max.	15.94m	17.7m	20.12m	16.07m	21.7m	21.7m
最大平台高度 Platform height max.	14.24m	16.0m	18.42m	18.47m	20m	20m
最大水平幅度 Horizontal reach max.	7.53m	7.65m	12.17m	12.1m	13.3m	13.3m
平台长度 Platform length-8ft model	1.83m	1.83m	2.44m	2.44m	2.44m	2.44m
平台宽度 Platform width-6ft model	0.76m	0.76m	0.91m	0.91m	0.91m	0.91m
收车高度 Height-stowed	2.26m	2.26m	2.45m	2.45m	2.55m	2.55m
收车长度 Length-stowed	6.50m	7.8m	8.05m	8.83m	8.66m	9.2m
宽度 Width	2.28m	2.29m	2.44m	2.44m	2.49m	2.49m
轴距 Wheelbase	2.2m	2.2m	2.45m	2.45m	2.5m	2.5m
离地间隙 Ground clearance-center	0.43m	0.39m	0.39m	0.39m	0.33m	0.33m
承载能力(非受限幅度) Lift capacity(non-restricted)	230kg	230kg	230kg	230kg	230kg	230kg
平台旋转 Platform rotation	± 80°	± 80°	± 80°	± 80°	± 80°	± 80°
转台回转 Turntable Swing	360° non-continuous	360° continuous				
转台尾摆 Turntable tailswing	0	0	0	0.76m	0.76m	0.76m
收车行驶速度 Travel speed - stowed	6.3km/h	6.3km/h	6.3km/h	6.3km/h	6.3km/h	6.3km/h
作业行驶速度 Travel speed - raised or extended	1.3km/h	1.3km/h	1.3km/h	1.3km/h	1.1km/h	1.1km/h
爬坡度 Gradeability - stowed (2WD)	45%	30%	30%	30%	45%	45%
爬坡度 Gradeability - stowed (4WD)	--	45%	45%	45%	--	--
转弯半径 Turning radius -内侧inside	3.19m	1.8m	3.45m	3.48m	3.0m	3.0m
转弯半径 Turning radius -外侧outside	5.25m	4.5m	5.38m	5.38m	5.2m	5.2m
控制 Controls	24V DC Proportional	12V DC Proportional				
动力 Power		Cummins B3.3-C60 (45kw) Perkins 400 61hp (45.5kw)			Cummins B3.3-C60 (45kw)	
应急动力单元 Auxiliary power unit	12V DC	12V DC	12V DC	12V DC	12V DC	12V DC
液压油箱容量 Hydraulic tank capacity	115L	115L	115L	115L	115L	115L
燃油箱容量 Fuel tank capacity	100L	100L	100L	100L	100L	100L
重量 Weight (2WD)	7384kg	7300kg	10047kg	10455kg	10000kg	10000kg



Specifications

Articulated Boom Lifts

	GTZZ 22Z	GTZZ 45Z	GTZZ 12D	GTZZ 14D	GTZZ 16D
最大工作高度 Working height max.	24.1m	46.3m	14m	15.9m	17.7m
最大平台高度 Platform height max.	22.4m	44.5m	12.3m	14.2m	16m
最大水平幅度 Horizontal reach max.	13.1m	18.5m	7m	8m	9.93m
平台长度 Platform length-8ft model	1.83m	2.44m	1.83m	1.83m	1.83m
平台宽度 Platform width-6ft model	0.91m	0.91m	0.76m	0.76m	0.76m
收车高度 Height-stowed	2.82m	3.57m	2.36m	2.38m	2.38m
收车长度 Length-stowed	10.1m	13.5m	5.89m	6.2m	7.27m
宽度 Width	2.40m	2.49m	2.28m	2.28m	2.28m
轴距 Wheelbase	2.6m	3.96m	2.2m	2.2m	2.2m
离地间隙 Ground clearance-center	0.33m	0.43m	0.33m	0.33m	0.33m
承载能力(非受限幅度) Lift capacity(non-restricted)	230kg	230kg	230kg	230kg	230kg
平台旋转 Platform rotation	± 160°	± 80°	± 80°	± 80°	± 80°
转台回转 Turntable Swing	360° continuous	360° continuous	360° continuous	360° continuous	360° continuous
转台尾摆 Turntable tailswing	0.76m	0.76m	0	0	0
收车行驶速度 Travel speed - stowed	6.3km/h	4.4km/h	6.3km/h	6.3km/h	6.3km/h
作业行驶速度 Travel speed - raised or extended	1.1km/h	1.1km/h	1.1km/h	1.1km/h	1.1km/h
爬坡度 Gradeability - stowed (2WD)	30%	--	30%	30%	30%
爬坡度 Gradeability - stowed (4WD)	45%	40%	--	--	--
转弯半径 Turning radius -内侧inside	3.0m	3.13m	3.0m	3.0m	3.0m
转弯半径 Turning radius -外侧outside	5.2m	5.43m	5.2m	5.2m	5.2m
控制 Controls	12V DC Proportional				
动力 Power	Cummins B3.3-C60 (45kw)		24x2/320Ah		
应急动力单元 Auxiliary power unit	12V DC	24V DC	12V DC	12V DC	12V DC
液压油箱容量 Hydraulic tank capacity	250L	265L	115L	115L	115L
燃油箱容量 Fuel tank capacity	113.6L	150L	--	--	--
重量 Weight (2WD)	10350kg	22000kg	7000kg	7570kg	7800kg



MANUAL SCISSOR LIFT



Specifications

Manual Scissor lifts CE

型号	额定载 荷 (kg)	机器尺寸	平台 高度	作业 高度	平台 尺寸	上升时间 (s)	电机功率	整机 重量	系统 电压	轮胎尺寸
Model	Lifting capacity (kg)	Machine dimensions (L*W*H) (m)	Platform height (m)	Working height (m)	Platform dimensions (L*W) (m)	Elevating time	Electromotor power(kw)	Machine weight (kg)	Voltage (V)	Tire (mm)
SJY0.5-3	500	1.4x0.85X0.85	3	4.7	1.3x0.7	16	0.75	400	AC 380/220	Φ200*80
SJY0.5-5	500	1.4x0.85X0.95	5	6.7	1.3x0.7	43	0.75	620	AC 380/220	Φ400*80
SJY0.3-6	300	1.9x1.03X0.95	6	7.7	1.8x0.88	49	1.1	650	AC 380/220	Φ400*80
SJY0.5-6	500	1.9x1.03X0.95	6	7.7	1.8x0.88	54	1.1	650	AC 380/220	Φ400*80
SJY0.5-7.5	500	1.9x1.15X1.35	7.5	9.2	1.8x1	72	1.5	1100	AC 380/220	Φ400*80
SJY0.3-9	300	1.95x1.15X1.5	9	10.7	1.85x1	75	1.5	1200	AC 380/220	Φ400*80
SJY0.5-9	500	1.95x1.15X1.55	9	10.7	1.85x1	80	1.5	1260	AC 380/220	Φ400*80
SJY0.3-11	300	2.2x1.35X1.6	11	12.7	2.1x1.2	83	2.2	1320	AC 380/220	Φ400*80
SJY0.5-11	500	2.2x1.35X1.6	11	12.7	2.1x1.2	88	2.2	1380	AC 380/220	Φ400*80
SJY0.3-12	300	2.55x1.50X1.75	12	13.7	2.45x1.35	85	3	1700	AC 380	Φ500*80
SJY0.5-12	500	2.55x1.50X1.6	12	13.7	2.45x1.35	90	3	1850	AC 380	Φ500*80
SJY0.3-14	300	2.55x1.65X1.8	14	15.7	2.45x1.5	98	4	2200	AC 380	Φ600*80
SJY0.5-14	500	2.55x1.65X1.8	14	15.7	2.45x1.5	120	4	2500	AC 380	Φ600*80
SJY0.3-16	300	2.85x1.65x1.95	16	17.7	2.75x1.5	130	4	2900	AC 380	Φ600*80
SJY0.45-16	450	2.6x1.65X1.98	16	17.7	2.5x1.5	130	4	3000	AC 380	Φ600*80
SJY1-6	1000	2.1x1.15X1.35	6	7.7	2x1	62	2.2	1200	AC 380/220	Φ400*80
SJY1-9	1000	2.1x1.15X1.75	9	10.7	2x1	108	3	1850	AC 380/220	Φ400*80
SJY1-12	1000	2.55x1.50X1.6	12	13.7	2.45x1.35	120	4	2100	AC 380	Φ500*80

Specifications

Mini Scissor Lifts €

Model	SJY 1.7	SJY 2.5	SJY3.0	SJY3.9
额定载重	240kg	240kg	240kg	240kg
Lifting Capacity (kg)				
工作高度 (m)	3.73	4.50	5.00	5.90
Working height (m)				
平台最低高度	1.73	2.50	3.00	3.90
Platform floor height (m)				
外形尺寸 (长*宽*高) (m)	1.14*0.70*1.62	1.14*0.70*1.63	1.14*0.70*1.63	1.14*0.70*1.70
Overall Size (W*D*H)(m)				
平台尺寸	1.0*0.6	1.0*0.6	1.14*0.6	1.14*0.6
Platform size(m)				
离地间隙	0.06	0.06	0.06	0.06
Ground Clearance (m)				
轴距	0.83	0.83	0.83	0.83
Wheelbase (m)				
电机功率	12VDC/0.8kw	12VDC/0.8kw	12VDC/0.8kw	12VDC/0.8kw
Lifting motor (kw)				
升降速度 (秒)	12/18	24/32	32/40	40/48
Up/Down speed (sec)				
电池	12V/95Ah	12V/95Ah	12V/95Ah	12V/95Ah
Batteries				
集成充电器	12V/12A	12V/12A	12V/12A	12V/12A
Integrated charger				
轮胎	6in/6in	6in/6in	6in/6in	6in/6in
Tyres (Back/Front)				
机台重量	220	278	288	298
Machine Weight (kg)				





SELF-PROPELLED SCISSOR LIFT



Specifications

Self-Propelled Scissor Lift

	GTJZ6A	GTJZ8A	GTJZ10A	GTJZ0608A	GTJZ0808A
最大工作高度 Max. working height (m)	8	10	11.8	7.9	9.7
最大平台高度 Max. platform height (m)	6.2	8.2	10	6.1	7.9
机器尺寸 Machine dimensions (L*W*H) (m)	2.13×0.95×2.38	2.13×1.12×2.49	2.58×1.3×2.38	2.45×0.81×2.2	2.45×0.81×2.3
平台尺寸 Platform dimensions (L*W) (m)	2.13×0.9	2.13×1.1	2.58×1.3	2.45×0.8	2.45×0.8
平台延伸 Platform extension (m)	0.8	0.8	0.8	0.8	0.8
额定载荷 Lifting capacity (kg)	250	250	250	300	220
平台延伸部分载荷 Extension capacity (kg)	100	100	100	100	100
收藏时行走速度 Traveling speed (stowed) (km/h)	3.06	3.06	3.06	2.7	2.7
升高时行走速度 Traveling speed (raised) (km/h)	0.54	0.54	0.54	0.54	0.54
爬坡能力 Gradeability (%)	25	25	20	25	25
内部转弯半径 Inside turning radius (m)	0.5	0.44	0.6	0.67	0.67
外部转弯半径 Outside turning radius (m)	2.13	2.26	2.68	2.4	2.4
整机质量 Machine weight (kg)	1696	2012	2400	1800	1850
系统电压 Voltage (V)	24	24	24	24	24
控制方式 Controls	电控 Electrical	电控 Electrical	电控 Electrical	电控 Electrical	电控 Electrical
轴距 Axle base (mm)	1.7	1.7	2	1.85	1.85
离地间隙 Ground clearance (mm)	60	60	60	60	60
液压箱容积 Hydraulic tank volume (L)	20.3	21.3	25	22	22
电机功率 Electromotor power (kW)	2	2	2	2	2

GTJZ scissor lifts can travel at slow speed and rapid speed self propelled. Only one person is needed to lower, raise, forward, backward, steer the machine. It improves working efficiency and reduces manpower and labor intensity greatly. It is especially good for long time work at airport terminals, stations, docks, shopping market, stadiums and work shops.



MANUAL SLEEVE AERIAL WORK PLATFORM



Specifications

Manual Sleeve Aerial Work Platforms €

	GTWY08	GTWY10	GTWY12	GTWY14
最大工作高度 Max. working height (m)	9.1	12	14	16.3
最大平台高度 Max. platform height (m)	7.3	10.2	12.2	14.5
额定载荷 Lifting capacity (kg)	100	100	100	100
整机质量 Machine weight (kg)	460	530	590	690
机器尺寸 Machine dimensions (L*W*H) (m)	1.35 × 0.74 × 2.05	1.35 × 0.74 × 2.7	1.35X0.74X3	1.35X0.74X3.5
平台尺寸 Platform dimensions (L*W*H) (m)	0.66x0.66x1.11	0.66x0.66x1.11	0.66x0.66x1.11	0.66x0.66x1.11
支腿支撑尺寸 Outrigger footprints (L*W) (m)	2 × 1.9	2.3 × 2	2.4X2.3	2.9X2.9
电机功率 Electromotor power (kW)	1.5	1.5	1.5	1.5
电机转速 Electromotor speed (r/min)	1400	1400	1400	1400
交流电压 AC voltage (V)	~ 220	~ 220	~ 220	~ 220

Technical parameter for GTWY

GTWY series aerial working platform is made of high strength stainless steel sleeve mast. High polymer sliding blocks are used between sleeves to ensure close connection and flexible movement to improve work stability. GTWY is compact, light, conveniently moved, and also with large working height and high reliability. It is widely used in indoor and outdoor cleaning activities, such as ceilings, walls, windows, pipelines and exhibition build-up. It is also good for aerial work in narrow workshop.





SINGLE MAST ALUMINIUM AERIAL WORK PLATFORM



Specifications

Single Mast Aluminium Aerial Work Platform CE

Items	GTWY4-100	GTWY6-100	GTWY8-100	GTWY9-100
最大工作高度 Max. working height(m)	5.7	7.7	9.7	10.7
最大平台高度 Max. platform height(m)	4	6	8	9
额定载荷 Lifting capacity(kg)	125	125	125	125
机器尺寸 Machine dimensions(L*W*H) (m)	1.28X0.79X1.65	1.28X0.79X1.65	1.28X0.79X1.98	1.28X0.79X1.98
平台尺寸 Platform dimensions(L*W) (m)	0.6X0.6	0.6X0.6	0.6X0.6	0.6X0.6
平台升高/降低速度 Lifting/lowering speed(m/s)				
整机质量 Machine weight(kg)	260	300	330	360
系统电压 Voltage(V)	ACC220/50	ACC220/50	ACC220/50	ACC220/50
支撑臂尺寸 Outrigger footprints(LXW)(M)	1.68x1.68	1.68x1.68	1.68x1.68	1.68x1.68
控制方式 Controls	Electrical 电控	Electrical 电控	Electrical 电控	Electrical 电控
电机转速 Electromotor speed (r/min)	1400	1400	1400	1400
电机功率 Electromotor power(kW)	1.1	1.1	1.1	1.1
最大侧向力 Max. lateral force(N)	245	245	245	245
最大风速 Max. wind speed(m/s)	8	8	8	8





DOUBLE MAST ALUMINIUM AERIAL WORK PLATFORM



Specifications

Double Mast Aluminium Aerial Work Platform €

Items	GTWY6-200s	GTWY8-200s	GTWY10-200s	GTWY12-200s
最大工作高度 Max. working height(m)	7.7	9.7	11.7	13.7
最大平台高度 Max. platform height(m)	6	60	10	12
额定载荷 Lifting capacity(kg)	200	200	200	200
机器尺寸 Machine dimensions(L*W*H)(m)	1.34X0.79X1.98	1.34X0.79X1.98	1.54X0.79X1.98	1.66X0.89X1.98
平台尺寸 Platform dimensions(L*W)(m)	1.18*0.69	1.18*0.69	1.39*0.69	1.50*0.79
整机质量 Machine weight(kg)	440	500	600	660
系统电压 Voltage(V)	ACC220/50	ACC220/50	ACC220/50	ACC220/50
控制方式 Controls	Electrical 电控	Electrical 电控	Electrical 电控	Electrical 电控
电机转速 Electromotor speed (r/min)	1400	1400	1400	1400
电机功率 Electromotor power(kW)	1.5	1.5	80	1.5
最大侧向力 Max. lateral force(N)	245	245	245	245
最大风速 Max. wind speed(m/s)	8	8	8	8





TRIPLE MAST ALUMINIUM AERIAL WORK PLATFORM

* Four/Five/Six mast aluminium aerial work platform are available as per client more working height requirements.



Specifications

Triple Mast Aluminum Platform

Triple Mast Aluminum Platform	GTWY12-300s	GTWY13-300s	GTWY14-300s
Items	GTWY12-300s	GTWY13-300s	GTWY14-300s
最大工作高度	13.7	14.7	15.7
Max. working height(m)			
最大平台高度	12	13	14
Max. platform height(m)			
额定载荷	200	200	200
Lifting capacity(kg)			
机器尺寸	1.89*1.12*2.02	1.98*1.12*2.02	1.98*1.12*2.14
Machine dimensions(L*W*H)(m)			
平台尺寸	1.58*0.85	1.58*0.85	1.58*0.85
Platform dimensions(L*W)(m)			
整机质量	900	1000	1200
Machine weight(kg)			
系统电压	AC220/380	AC220/380	AC220/380
Voltage(V)			
控制方式	Electrical/电控	Electrical/电控	Electrical/电控
Controls			
电机转速	1400	1400	1400
Electromotor speed (r/min)			
电机功率	2.2	2.2	2.2
Electromotor power(kW)			
最大侧向力	245	245	245
Max. lateral force(N)			
最大抗风等级	5	5	5
Max. anti-wind level			

AERIAL WORK TRUCK



Model	JQ5050JGK-12	JQ5050JGK-14	JQ5060JGK-16	JQ5060JGK-18
Platform				
Max. Rated. capacity	200kg(2 persons)	200kg(2 persons)	200kg(2 persons)	200kg(2 persons)
Max. Working Height	12m	14m	16m	18m
	10.3m	12.3m		16.5m
Max. Working Radius	6m	6.5m	7m	8m
Boom				
Upper boom lifting angle	70°	70°	70°	70°
Lower boom lifting angle	70°	70°	70°	70°
Turn around angle	360°	360°	360°	360°
Outrigger				
Lateral span	2750mm	2750mm	3250mm	3250mm
Outriggers Adjustment	Individual adjustment	Individual adjustment	Individual adjustment	Individual adjustment
Chassis				
Type			JX1060TSG23	EQ1071TJ3
Engine power		70KW	67.6KW	88kw
Engine type	4100QBZL	4100QBZL	JX493ZLQ3	CY4102BZLQ
Displacement(ml)		3707ml	3856	3856
Crews	5 persons	5 persons	5 persons	3 persons
Dimensions(mm)	6750*1950*2960	7400*1890*3110	7400*2010*3100	8000*2200*3400
Wheel Base (mm)	3300	3360	3800	3856
Wheel trade(front/back)(mm)	1500/1466	1385/1425	1750/1586	1750/1586
Fuel	Diesel oil	Diesel oil	Diesel oil	Diesel oil
Tyre Size	6.50-16	7.00R16LT	7.50-16	7.50-16
Max. traveling speed(km/h)			90	90





The functions of security protection system:

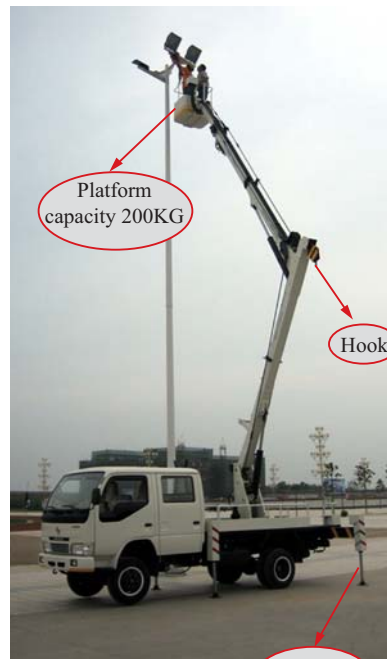
1. Balancing valve of the upper and lower arm cylinder configuration, used for platform lift smoothly and freely.
2. Support-Legs, two-way hydraulic lock cylinder configuration, used for security and protection, to keep the whole vehicle balanced.
3. Interlock device on and off, to make sure the support legs without movements during the aerial operation.
4. Emergency stop devices, to stop the machine work in case of the emergency.
5. Control handle both are with automatic reset function.

Several pictures for reference:

1. With articulating boom structure, be rotary to 360°, having the special function which scissors type and telescope type have not --to work across the obstacles.
2. Available for 2 persons working, Widely used for cleaning the windows, installing and maintaining of the lights, decorating and repairing of the factory house, and some other operations of high-altitude.



Hook



Platform capacity 200KG

Hook

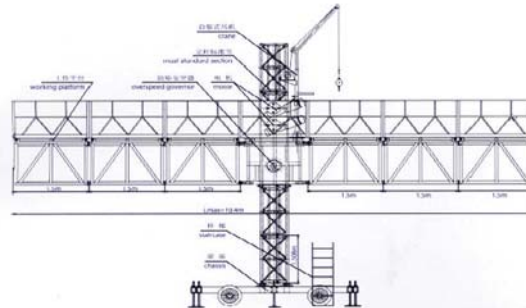
Support leg

SINGLE MAST CLIMBING WORKING PLATFORM



单立柱
(Single Mast climbing working platform)

平台最大长度 Max length of platform	8.67m
平台宽度 Platform width	1.5m
额定速度 Rated speed	8.3m/min
电机功率 Power	2-5.5kw
最大独立高度 Max independent height	8m
最大架度高度 Max height	100m
附墙架间距 Ties distance	3-9m
最大载荷重量 Max load	1000kg
标准节长度 standard section length	1508mm



INTRODUCTION:

Aerial operation platform, also called climbing type construction lifting platform, is a kind of aerial operation machinery which is driven by gear and rack, is lifted and guided by mast. The aerial operation platform is mainly composed of the drive elements, underframe, mast, tripod mounting deck, rail, wall-attaching rack, electric control system and other spare parts. And this machinery possesses the following features, like without prefabricated base, large hoisting capacity, high construction efficiency, large working area and safety and reliable. It can lift the staffs and equipment to the required height and can allow one or more person to work on the platform. It is especially suitable for the aerial glass wall construction and external wall fixture and fitting, and it is also suitable for hanging ceiling and installing wire duct. The construction lifting platform is in stable operation and its installation is convenient, and it can be safely operated. The construction lifting platform is prevailing in the building construction; to some extent, it can replace aerial operation hanging baskets and scaffolds.

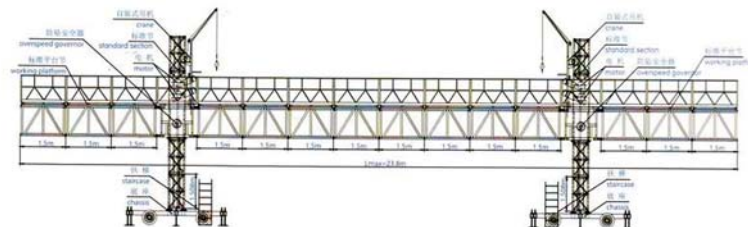


TWIN MASTS CLIMBING WORKING PLATFORM



平台最大长度 Max length of platform	23.34m
平台宽度 Platform width	1.5m
额定速度 Rated speed	8.3m/min
电机功率 Power	2*2*5.5kw
最大独立高度 Max independent height	8m
最大架度高度 Max height	100m
附墙架间距 Ties distance	3-9m
最大载重量 Max load	1400kg
标准节长度 standard section length	1508mm

双立柱
(Twin Masts climbing working platform)



INTRODUCTION:

Aerial operation platform, also called climbing type construction lifting platform, is a kind of aerial operation machinery which is driven by gear and rack, is lifted and guided by mast. The aerial operation platform is mainly composed of the drive elements, underframe, mast, tripod mounting deck, rail, wall-attaching rack, electric control system and other spare parts. And this machinery possesses the following features, like without prefabricated base, large hoisting capacity, high construction efficiency, large working area and safety and reliable. It can lift the staffs and equipment to the required height and can allow one or more person to work on the platform. It is especially suitable for the aerial glass wall construction and external wall fixture and fitting, and it is also suitable for hanging ceiling and installing wire duct. The construction lifting platform is in stable operation and its installation is convenient, and it can be safely operated. The construction lifting platform is prevailing in the building construction; to some extent, it can replace aerial operation hanging baskets and scaffolds.

SUSPENDED PLATFORM



Specifications

Suspended Platform

Model		ZLP500	ZLP630	ZLP800A	ZLP800B	ZLP1000A	
Rated capacity		500kg	630kg	800kg	800kg	1000kg	
Rated speed		9 ~ 11m/min	9 ~ 11m/min	8 ~ 10m/min	8 ~ 10m/min	8 ~ 10m/min	
Platform length		5m	6m	7m	7m	7m	
Steel rope		8.3mm 4 x 31SW+Fc	8.3mm 4 x 31SW+Fc	8.6mm 6 x 19+IWS - 8.6	8.6mm 4 x 31SW+Fc - 8.6	8.6mm 6 x 19+IWS - 8.6	
Counter-Weight	Rated lifting force	4.9kN	6.17kN	7.84kN	7.84kN	9.8kN	
	Hoist	Power	1.5kW x 2	1.5kW x 2	2.2kW x 2	1.8kW x 2	3.0kW x 2
		Voltage /frequency	380V/60Hz	380V/60Hz	380V/60Hz	380V/60Hz	380V/60Hz
		Speed	1420rpm	1420rpm	1420rpm	1420rpm	1420rpm
Safety lock	Permission force of impact	30kN	30kN	30kN	30kN	30kN	
	Locking Cable Angle	3° ~ 8°	3° ~ 8°	3° ~ 8°	3° ~ 8°	3° ~ 8°	
	Front beam overhang	1.3m ~ 1.7m	1.3m ~ 1.7m	1.3m ~ 1.7m	1.3m ~ 1.7m	1.3m ~ 1.7m	
	Height adjustment	1.365m ~ 1.925m	1.365m ~ 1.925m	1.365m ~ 1.925m	1.365m ~ 1.925m	1.365m ~ 1.925m	
	Weight	310kg	310kg	310kg	310kg	390kg	
Counter weight		750kg	900kg	1000kg	1000kg	1300kg	

ICNBM LIFTING SOLUTIONS INCLUDING:

- **Aerial Work Platform**

- Tower Crane
- Building Hoist (Mini / Multi-function / Inclined Hoist)
- Mobile Crane
- Crawler Crane
- Port Material Handling Machinery



CMAX[®] CNBM International Corporation

Add: Floor 17-18 , No.4 Building, Zhuyu International Commercial Center, No.9, Shouti South Road, Haidian District, Beijing 100048, China.
Tel : (0086-10)57971077
Fax: (0086-10)57971166
E-mail: taylorlian@icnbn.com
Website: www.cnbm.com.cn
www.cmaxmachinery.com